

CONSTANT PRESSURE TENT VENTO® CUBE

INCLUDED



x 4

straight pin with eyelet and extraction ropes



x 4

straight pin with eyelet



x 1

mounting hammer



x 1

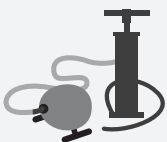
valve key



x 1

transport bag

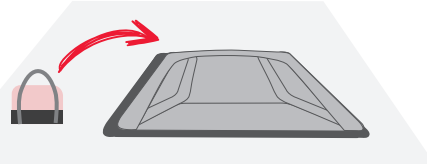
NEEDED



electric or hand pump

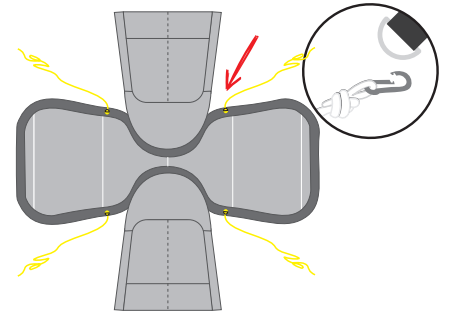
ASSEMBLY INSTRUCTIONS

flat top view

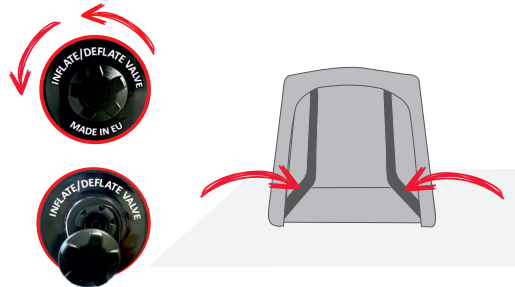


- Take the tent out of the bag and lay it flat. If possible, use a tarp to do this so that you don't get the cover dirty.

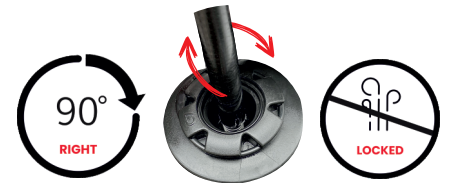
flat top view



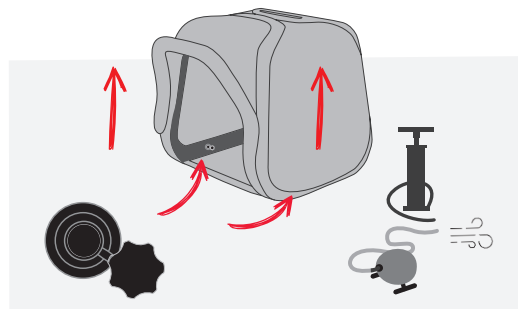
- Hook the lashing lines to the eyelets with snap hooks x 4.



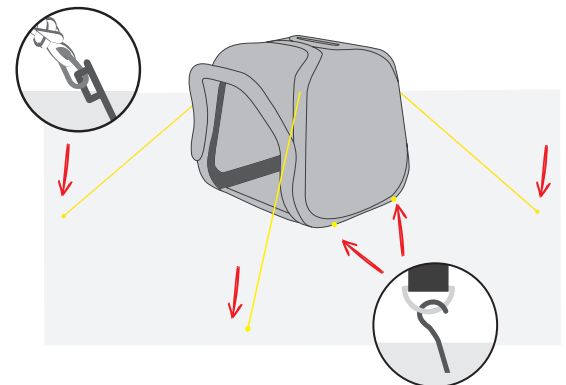
- Prepare the inflate/deflate valves for inflation by unscrewing the nuts. They are located on the lower parts of the module inside the tent.



- Lock the valves by turning the diaphragm needle by about 90° to the right with the dedicated key, this prevents air escaping. Unlocked valves will escape air from the product!



- Prepare the pump and start pumping. Once filled with air, the tent will self-tension and erect. The floor is integrated into the tent. Screw on the nuts of the inflate/deflate valves.



- Stabilise the tent with the lashing ropes, they must be taut and stretched to their full length. Fix the pegs to the ropes and lashings in the base by hammering into the ground. Zip up the optional sun canopy.

! For ground that prevents the use of pegs/anchors, use dedicated sand weights to the lashing ropes and to the lashings in the base of the tent.

CONSTANT PRESSURE TENT VENTO® CUBE

INCLUDED



x 4

straight pin with eyelet and extraction ropes



x 4

straight pin with eyelet



x 1

mounting hammer



x 1

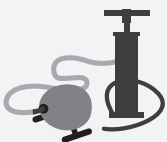
velve key



x 1

transport bag

NEEDED



electric or hand pump

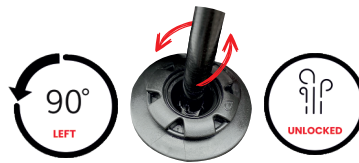
DISASSEMBLY INSTRUCTIONS



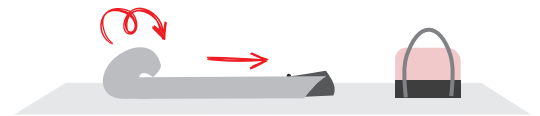
- 1 Remove all anchors/pins from lashing lines, base.



- 2 Unscrew the nuts from the inflate/deflate valves and prepare to pump out the air.



- 3 Unlock the valves by turning the diaphragm needle by approx. 90° to the left and start pumping the air out of the tent.



- 4 Roll the tent from the canopy side down pushing the remaining air towards the inflate/deflate valves in the base. Assemble and pack the assembly kit into the bag for accessories. Pack the tent into the bag. transportowej.

INSTRUCTIONS OF USE

1. Please read the product assembly/disassembly instructions before assembly.
2. When transporting, setting up and assembling the product, take special care to avoid damage to the product or injury during assembly.
3. Before disassembling the product, ensure that there are no sharp objects, tools etc. with sharp edges in the area where the product will be assembled.
4. If using an electric pump, check the condition of the wires before connecting to avoid electric shock.
5. Do not obstruct the safety valves that regulate the air pressure in the product.
6. During increasing gusts of wind, systematically check the seating of the pins/anchors. In winds above 38km/h, the product should be folded immediately.
7. During rain or snowfall, excess water/snow must be systematically removed from the product.
8. The seams of the promotional tents are not sealed to ensure full waterproofing. Seepage at the seams does not constitute a defect in the product.
9. Any soiling must be removed immediately with a damp cloth and warm water without the use of detergents. The use of high-pressure cleaners is prohibited.
10. When using the product, monitor the condition of the sheathing and avoid mechanical damage. Damage to the sheathing may cause the structure to collapse.
11. The product should be cleaned and dry before dismantling. If due to weather or other circumstances the product is assembled wet and dirty, it should be disassembled again as soon as possible, dried and cleaned.
12. The product should be stored in a dry and clean place.



risk of ignition following contact with a fire or ignition source



risk of entanglement or tripping over lashing ropes



risk of overturning due to incorrect installation or strong winds



inappropriate use e.g. climbing



risk of damage to the power cable, e.g. on an electric pump