

ADVERTISING PILLAR VENTO®

INCLUDED



x 4

straight pin with eyelet
and extraction ropes



x 4/8*

straight pin with eyelet



x 1

hammer



x 1

valve key



x 1

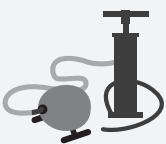
repair set



x 1

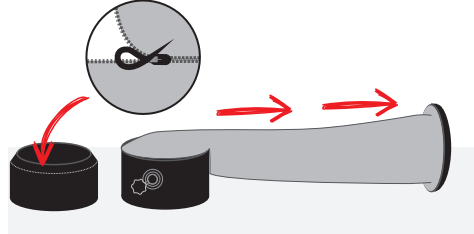
built-in cover

NEEDED

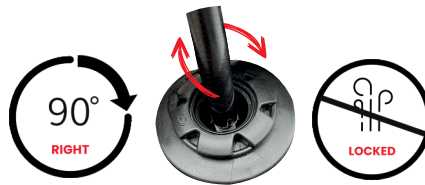


hand pump or electric

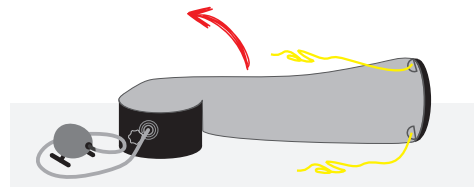
ASSEMBLY INSTRUCTIONS



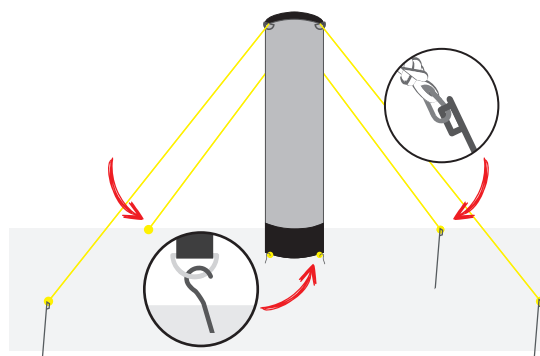
- 1 Unfasten the zipper from the base of the post and remove the centre, stretching it to its full length. If possible, use a sheet so as not to stain the sheathing.



- 3 Lock the valve by turning the diaphragm needle by turning the needle of the diaphragm about 90° to the right with the dedicated key, this prevents air escaping. An unblocked valve will bleed air from the



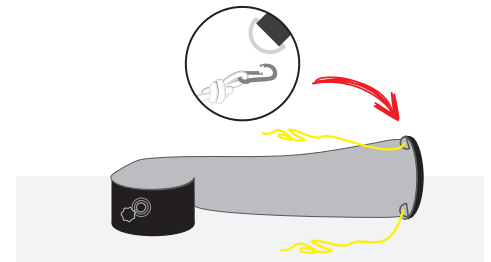
- 5 Connect the pump and start filling the product with air.



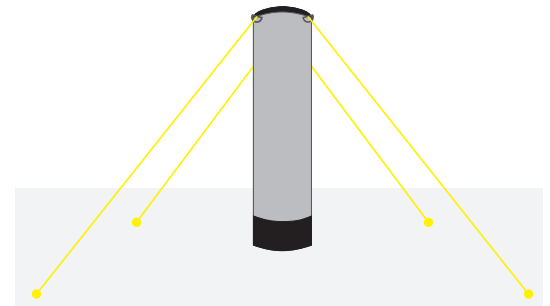
- 7 Fix the lines to the ground with straight pins. The lashing lines should be taut and stretched to their full length.



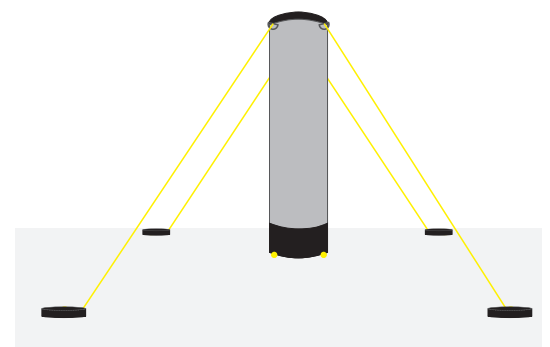
- 2 Find the inflate/deflate valve and unscrew the nut.



- 4 Clip the lines to the lashing eyes using snap hooks.



- 6 Place the pole using the cables.



- !** For substrates that prevent the use of pins/anchors, use dedicated cable weights and a balancing plate in the base.

* depending on the size of the post.

ADVERTISING PILLAR VENTO®

INCLUDED



x 4

straight pin with eyelet
and extraction ropes



x 4/8*

straight pin with eyelet



x 1

hammer



x 1

valve key



x 1

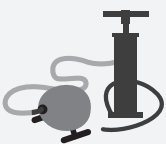
repair set



x 1

built-in cover

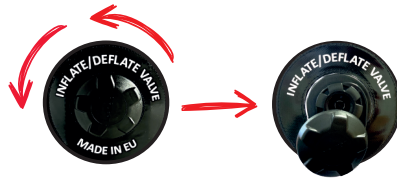
NEEDED



hand pump or electric

DISASSEMBLY INSTRUCTIONS

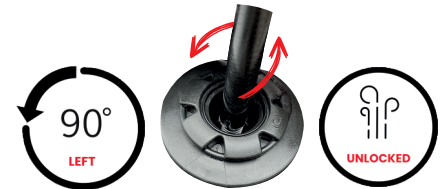
- 1 Remove all anchors/pins from lashing lines and lashings.



- 3 Find the inflate/deflate valve and unscrew the the plug.

- 5 Assemble and pack the mounting kit in the accessory bag.

- 2 Place the product on a flat and dry surface. If possible, use a sheet.



- 4 Unlock the valve by turning the diaphragm needle by about 90° to the left and start pumping the air out of the product.

- 6 Roll the product into a built-in bag or pack into a dedicated carry bag.

INSTRUCTIONS OF USE

1. Please read the product assembly/disassembly instructions before assembly.
2. When transporting, setting up and assembling the product, take special care to avoid damage to the product or injury during assembly.
3. Before disassembling the product, ensure that there are no sharp objects, tools, etc. with sharp edges in the area where the product will be assembled.
4. If using an electric pump, check the condition of the wires before connecting to the voltage to avoid electric shock.
5. Do not obstruct the safety valves that regulate the air pressure in the product.
6. During increasing gusts of wind, systematically check the seating of the pins/anchors. In winds above 38km/h, the product should be folded immediately.
7. During rain or snowfall, excess water/snow must be systematically removed from the product.
8. Any soiling must be removed immediately with a damp cloth and warm water without the use of detergents. The use of high-pressure cleaners is prohibited.
9. The product should be cleaned and dry before disassembly. If, due to weather or other circumstances, the product is assembled wet and dirty, it should be disassembled again as soon as possible, dried and cleaned.
10. The product should be stored in a dry and clean place.



risk of ignition following
contact with a fire or
ignition source



risk of entanglement or
tripping over lashing
ropes



risk of overturning due
to incorrect installation
or strong winds



inappropriate use
e.g., climbing



risk of damage to the
power cable, e.g., on an
electric pump

* depending on the size of the post.